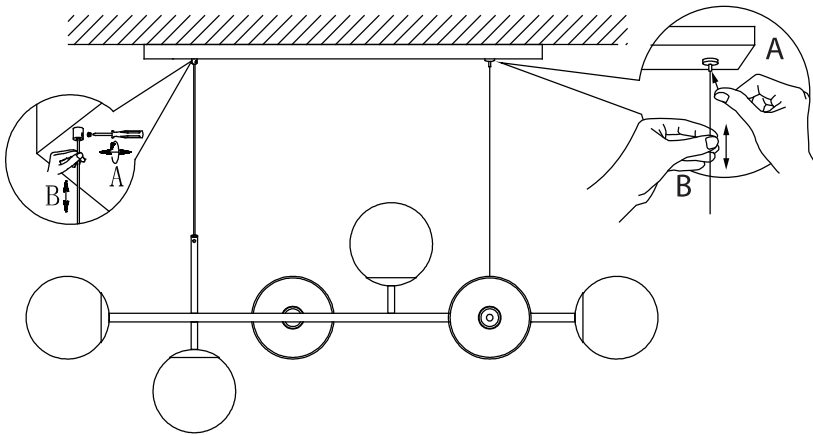
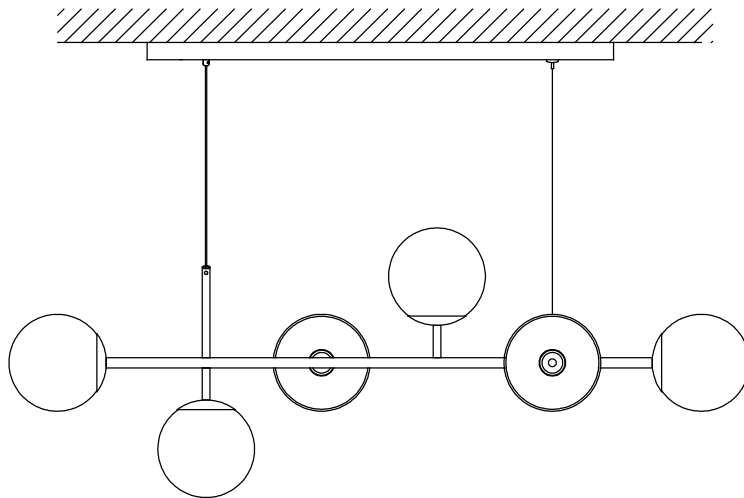


3



When adjusting the length of the metal wire, please note to press down the button at the canopy before you start pulling the metal wire, in order not to damage the lamp.

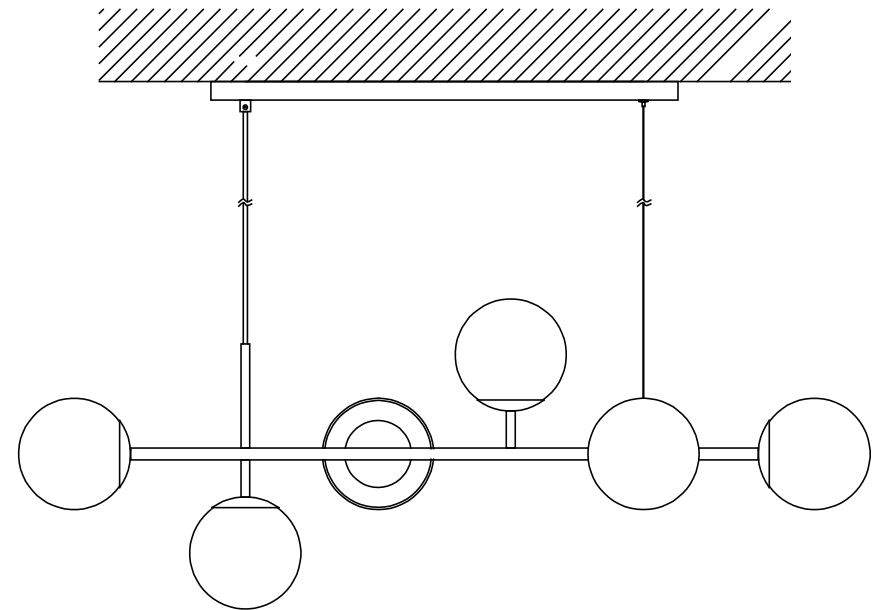
4



Designed by 365 North
Bolia.com
new scandinavian design

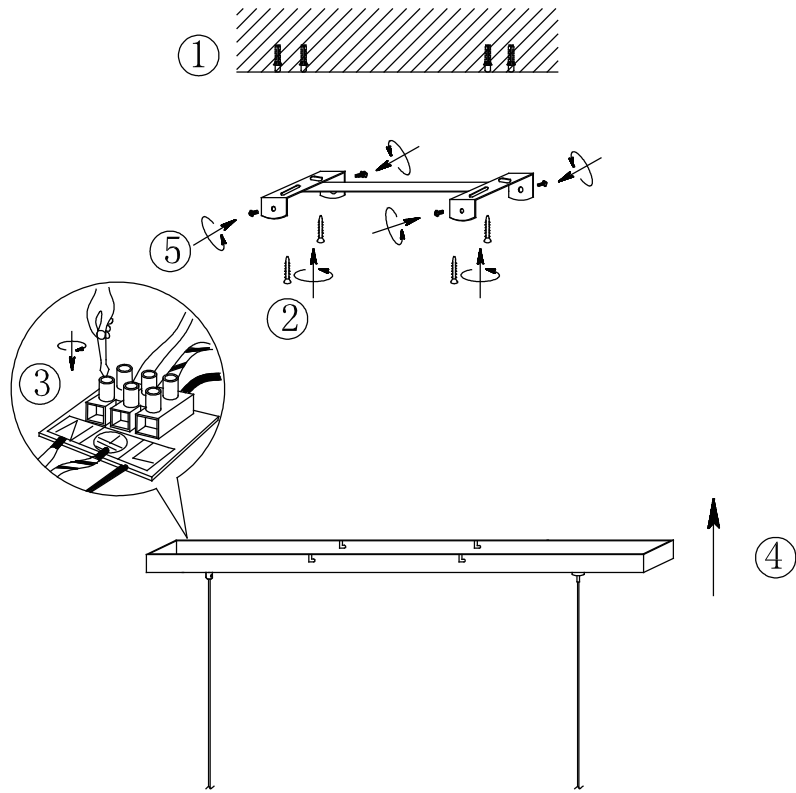
ORB CHANDELIER PENDANT

If the flexible cable or cord of this luminaire is damaged, it shall be exclusively replaced by the manufacturer or their service agent or a similar qualified person, in order to avoid a hazard.



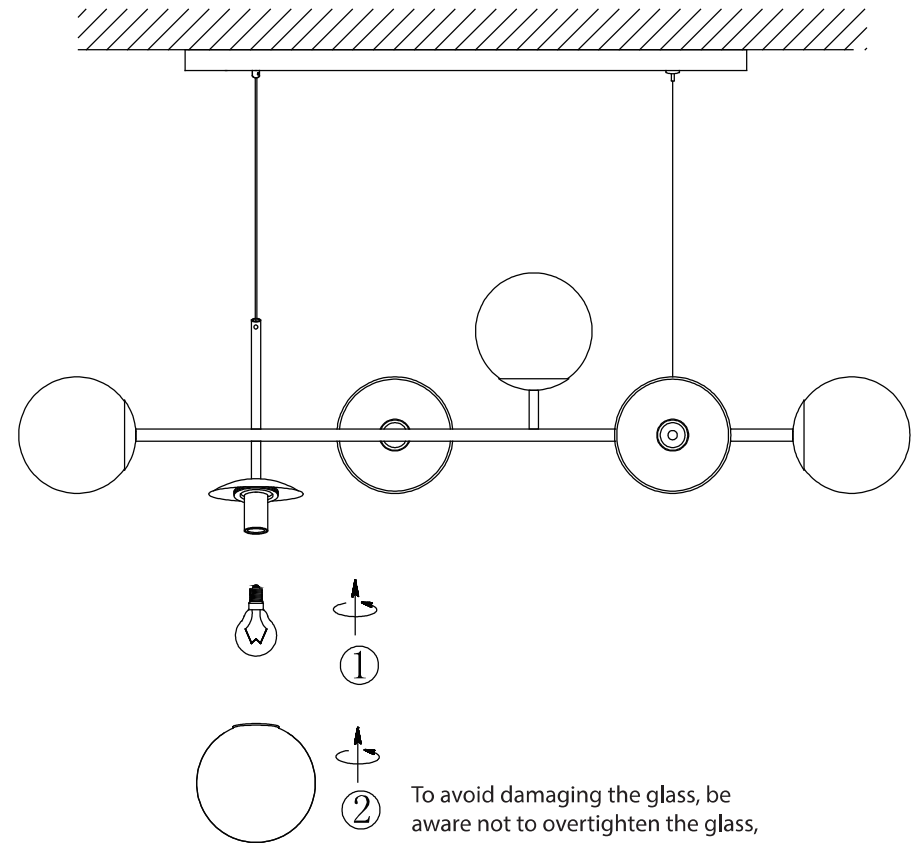
Designed by 365 North
Bolia.com
new scandinavian design

1



Designed by 365° North
Bolia.com
new scandinavian design

2



Designed by 365° North
Bolia.com
new scandinavian design