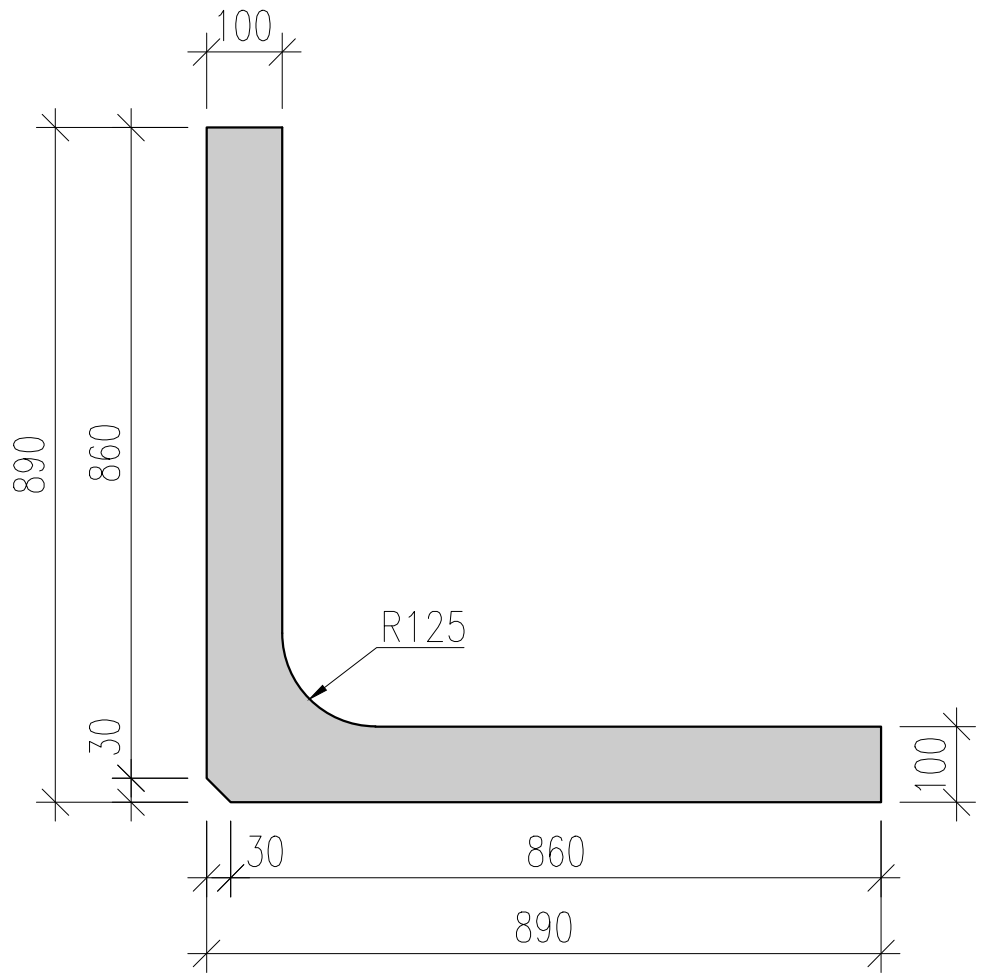
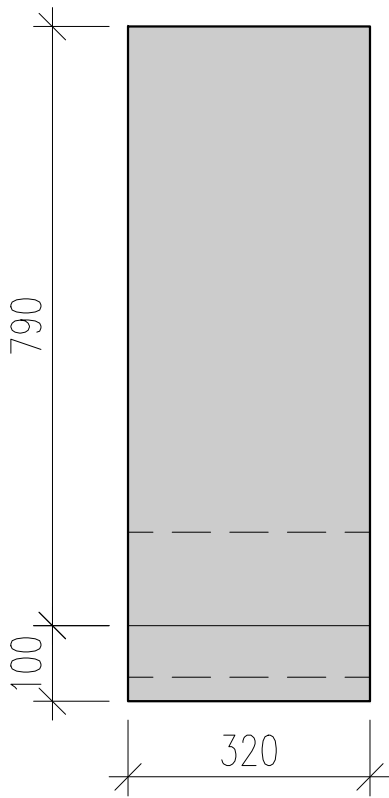


MATRACE 1:



MATRACE 2:

